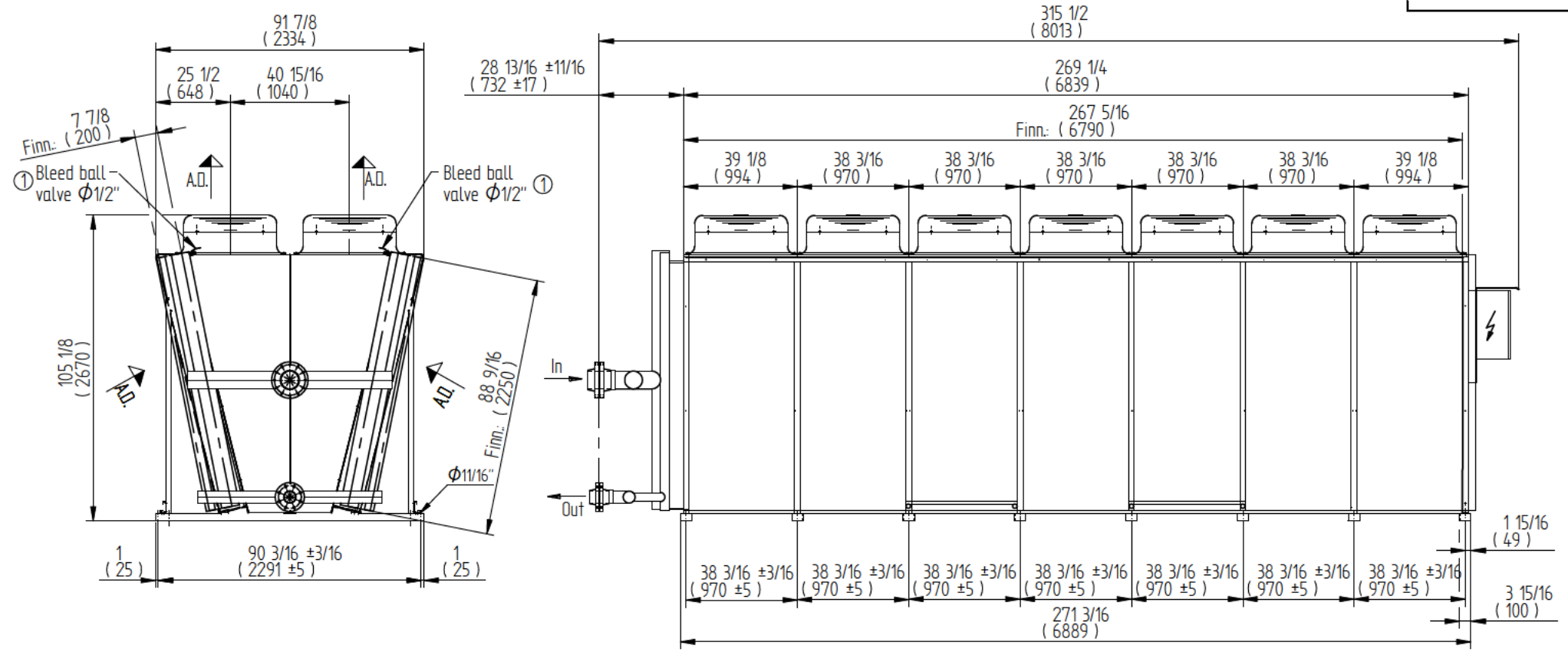


IT ONLY APPLIES
FOR THIS PROJECT
REV:-----

protection note acc. to DIN ISO 6606

measures without specification of tolerances
welding / brazing
DIN EN ISO 15920, Tolerance class D
general tolerances
DIN ISO 2768-1, Tolerance class component parts m / assembly v
DIN ISO 2768-1, Tolerance class component parts K / assembly L



Performance Data		Physical Data	
Total capacity (Btu/h)	:2,909,900	Coil	:2x F/8/45/3.00/6790/A/X/S
Condensation temperature	:93.9°F	Surface area	:41,510 ft ²
Condensate outlet	:90.0°F	Coil volume	:21.099 ft ³
Hot gas temp	:120.28°F	Rows deep	:8
Refrigerant	:R245fa	Dry Weight/Op.Weight	:11,472 b / 12,763 lb ca.
Air Inlet Temp.	:70.0°F	Inlet Ø	:6" RFWN 300# black steel flanged
Air Flow	:145,061 cfm	Outlet Ø	:4" RFWN 300# black steel flanged
Altitude	:0.000 ft	Fin spacing	:8.5 FPI
		Casing Material:	:Galv. Steel
		Finish	:RAL 7035
		Tube material	:Copper
		Fin material	:Aluminum
		Num. Of Distributions	:2 x 180
Fan/Motor Data			
Voltage	:400/3/50-60		
HP fan motor(s), (Qty.)	:1 1/2,(14)		
RPM	:865		
Design motor AMPS	:2		
Fan Diameter (Type)	:31 1/2" (EBM)		

Reference #: _____ Project: _____

Notes:-
 -S= Coil modification, EC / GMM
 -S= Coil in GCO F/8/90/3.00/6790/AXS/ /015032
 -EC Motor in VT03025U @ 865 RPM (ID#1212)
 -6 1/8" copper manifold to reduce inlet connections to one
 -4 1/8" copper manifold to reduce outlet connection to one
 -6" RFWN 300# black steel flanged connection for inlet
 -4" RFWN 300# black steel flanged connection for outlet
 -Mounted panel
 -2 x 6 1/8" Inlet headers
 -2 x 3 1/8" Outlet headers
 -Ball valve 1/2" for ventilation only 1 per header (2 total) located at highest point

Third Projection Angle

 Dimensions in inches / mm

Scale:	Sc: 1: 35.71	Customer:
Position:	Pos: 10	
Quantity:	Qty: 1	
Model:	S-GVD 080.1B/2x7-N(2)	
Name:	Condenser	
Drawing-Nr.:		
Revis.:	01	
POM		

Revision table:

Revision	Date	Name
01	21.11.2013	sfores
	18.09.2013	sfores
	21.11.2013	lizeth garci

Güntner U.S. Ref#:

Drw:	18.09.2013	sfores
Aprv:	21.11.2013	lizeth garci

Güntner U.S. L.L.C
 110 W. Hillcrest Blvd. Ste. 105
 Schaumburg, IL 60195 USA.
 Ph.: (847)-781-0900
 www.guntherus.com

Proj: _____ Order: 116393